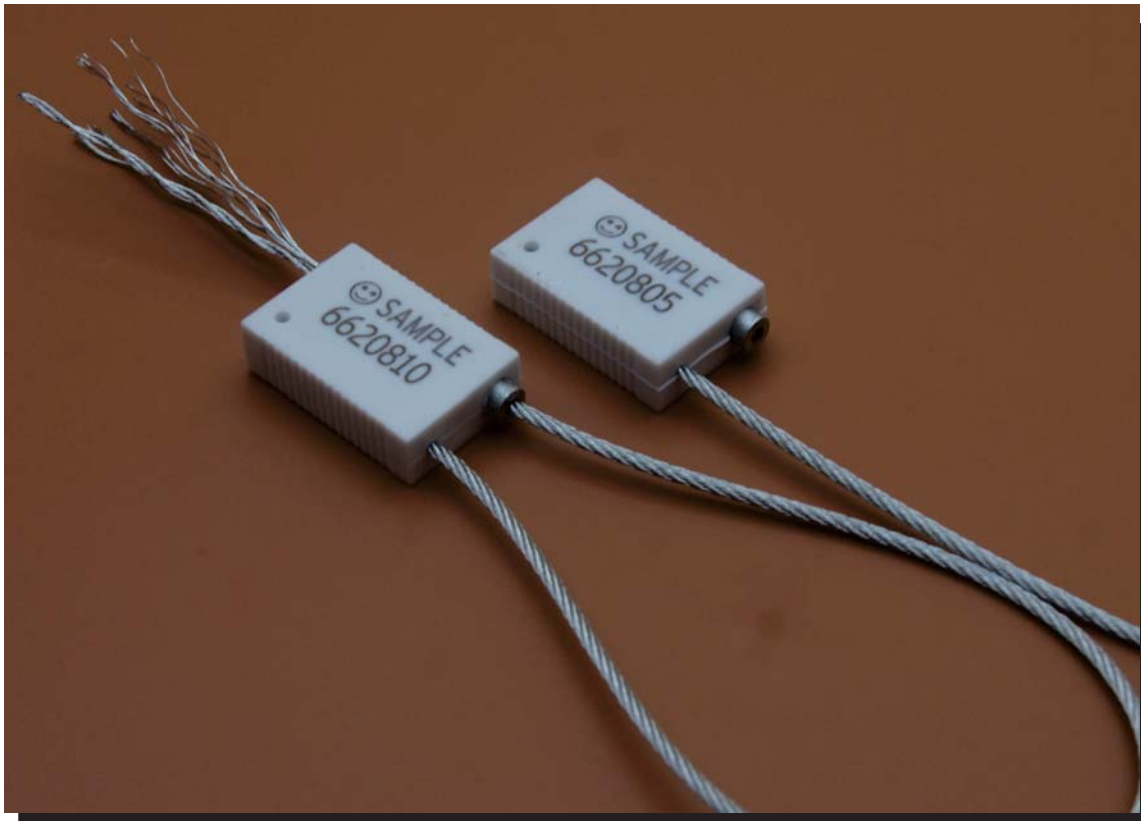


Pull tight Zinc coated with plastic cable seals

MODEL NUMBER: 6620



Seal Classification

- Security Seal
- Load to Failure : >480kgs

Material

- Galvanized NPC Cable \varnothing 2.0mm and 300mm long.
- Any length is available.
- Lock housing: Zinc coated with plastic ABS
- metal wheel lock insert

Production standard

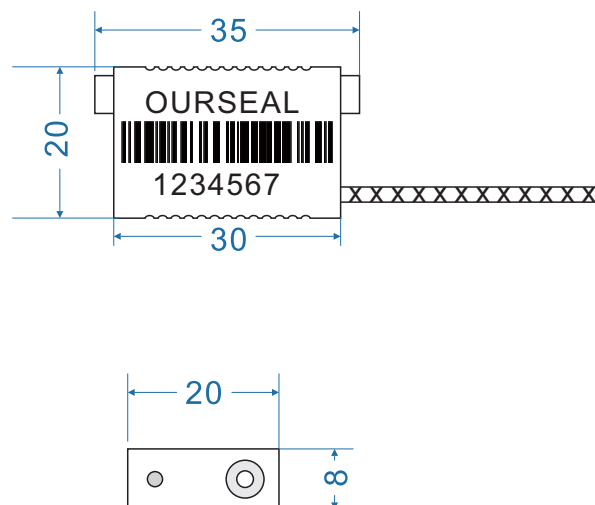
- ISO 17712/PAS
- ISO 9001: 2008



Pull tight Zinc coated with plastic cable seals

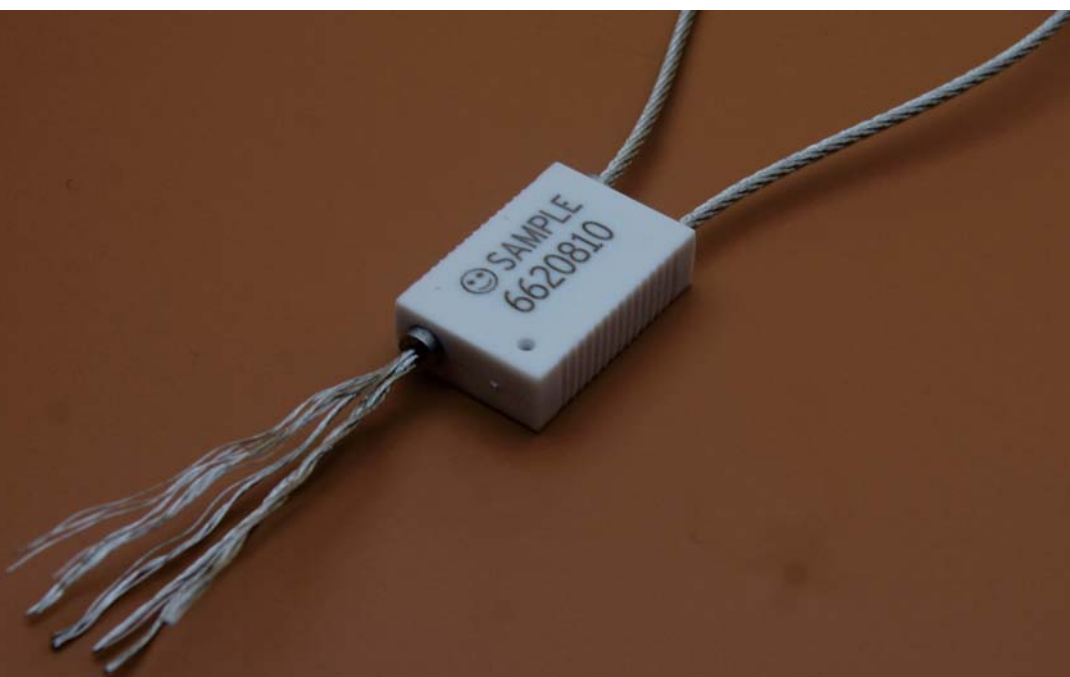
MODEL NUMBER: 6620

Drawing:



Pull tight Zinc coated with plastic cable seals

MODEL NUMBER: 6620



The NPC wire is auto-scattered after cutting.



Pull tight Zinc coated with plastic cable seals

MODEL NUMBER: 6620



Printing

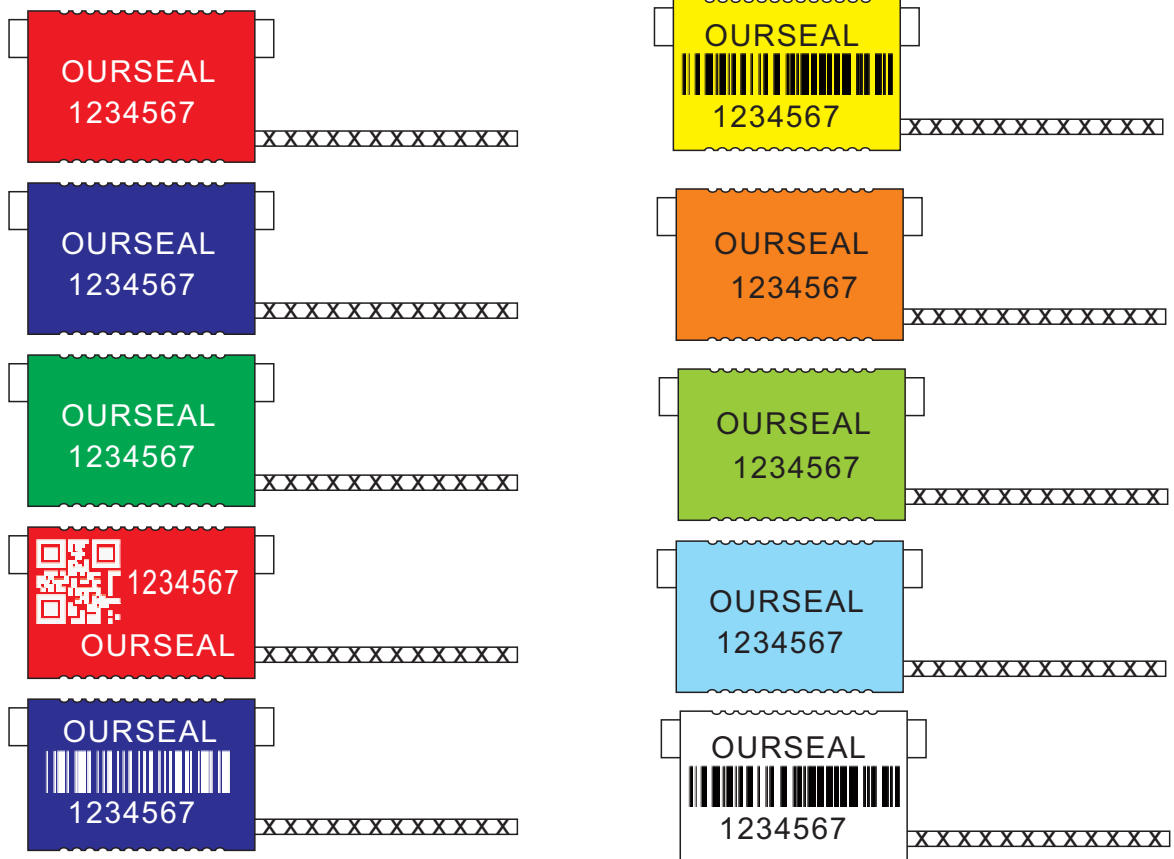
- Laser engraving
- Company Logo/Name
- Sequential number
- Bar code /QR code decoration is also available



Pull tight Zinc coated with plastic cable seals

MODEL NUMBER: 6620

Any color is possible, Pantone color standard is no problem.



Pull tight
Zinc coated with plastic cable seals

MODEL NUMBER: 6620

Package

- [] 1000pcs per outer carton
- [] Net weight: 17.5kgs
- [] Gross weight: 18.5kgs
- [] Measure: 350*260*170mm

